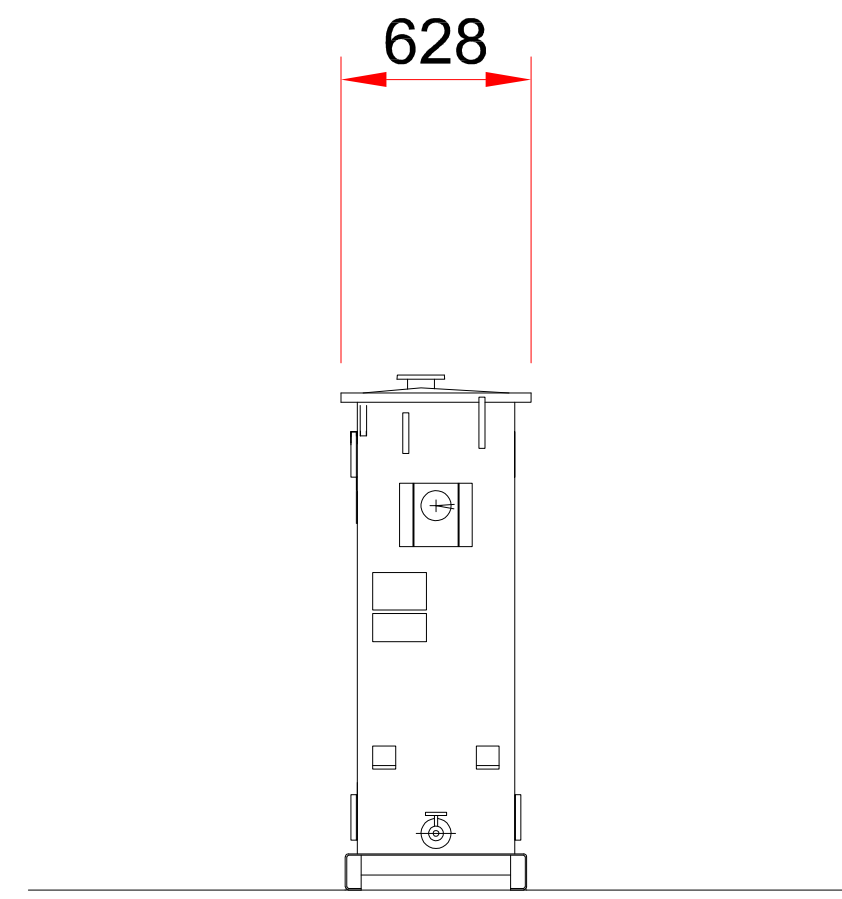
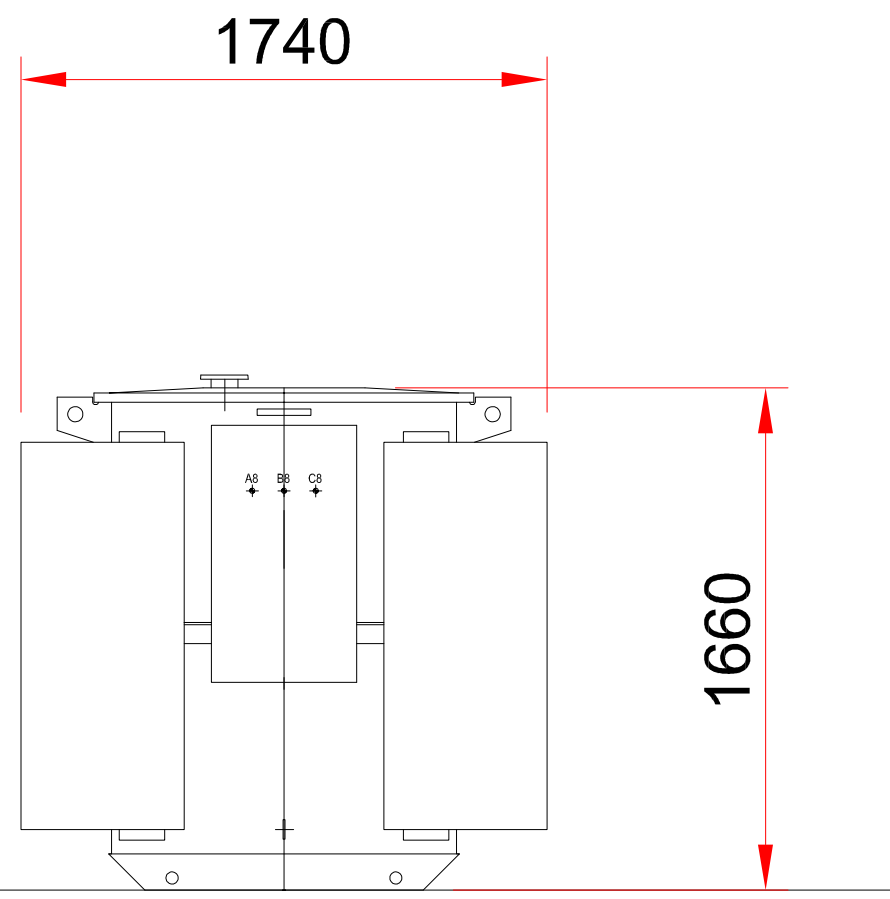


This drawing is the copyright of AXIS P.E.D Limited and may not be loaned, copied or reproduced in any way - or used for any offer, quote, tender or construction purposes without written consent of the company to do so.
 Follow any figured dimensions - do not scale for construction purposes. IF IN DOUBT ASK.

• Revision History • Date

Revision History	Date



Chester Office Wild House Farm Breton Chester CH4 9DT	South Manchester Office Canal House 76 Water Lane Wilmslow SK9 5NR	
client: HARBOUR ENERGY		
project: LEGACY		
drawing title: 11KV TRANSFORMER DETAIL		
date: February 2020	drawn by: SM	checked: FR
drawing number: 2658-01-012	status: ..	
scale(s): 1:25@A3	rev: ..	
planning environment design		